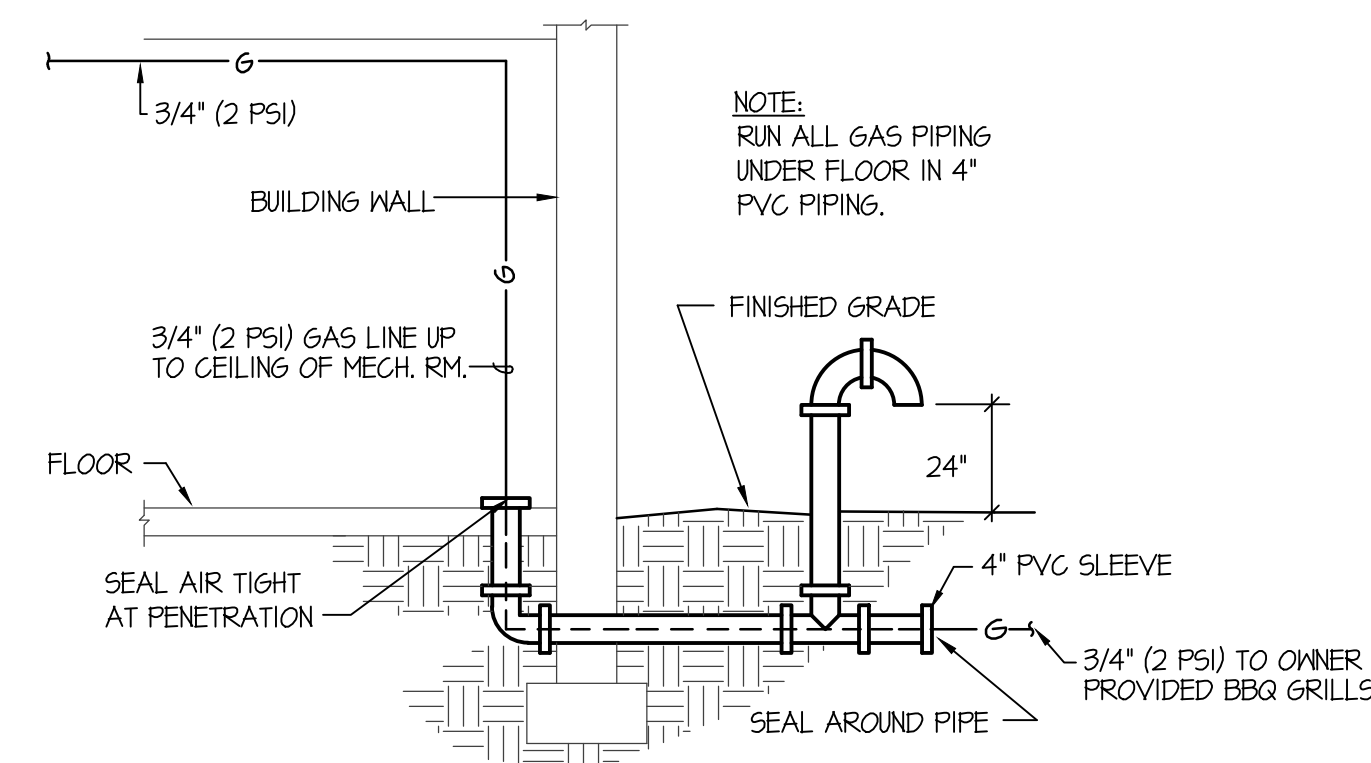
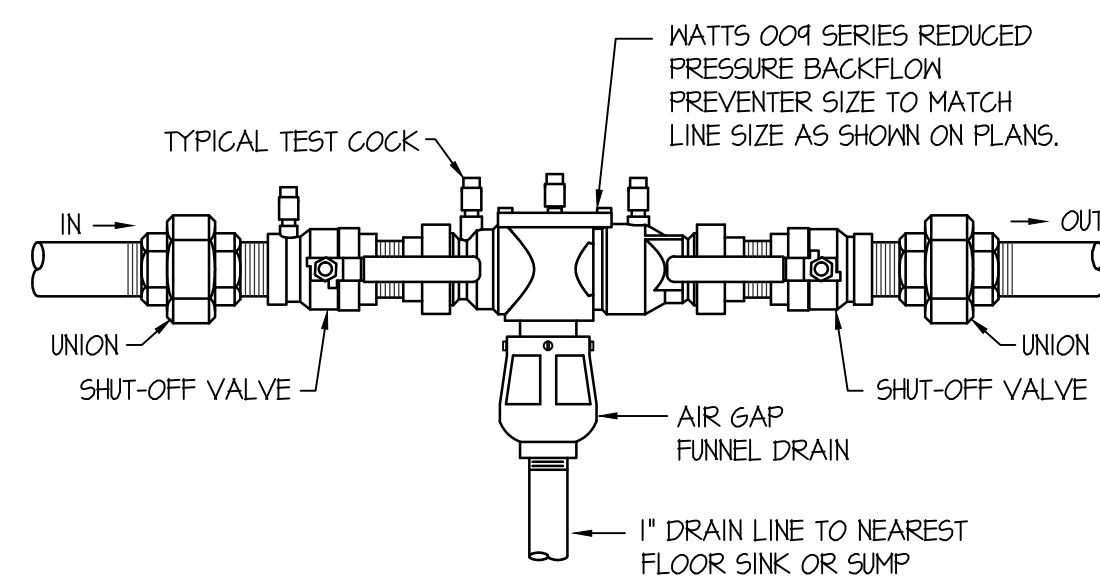


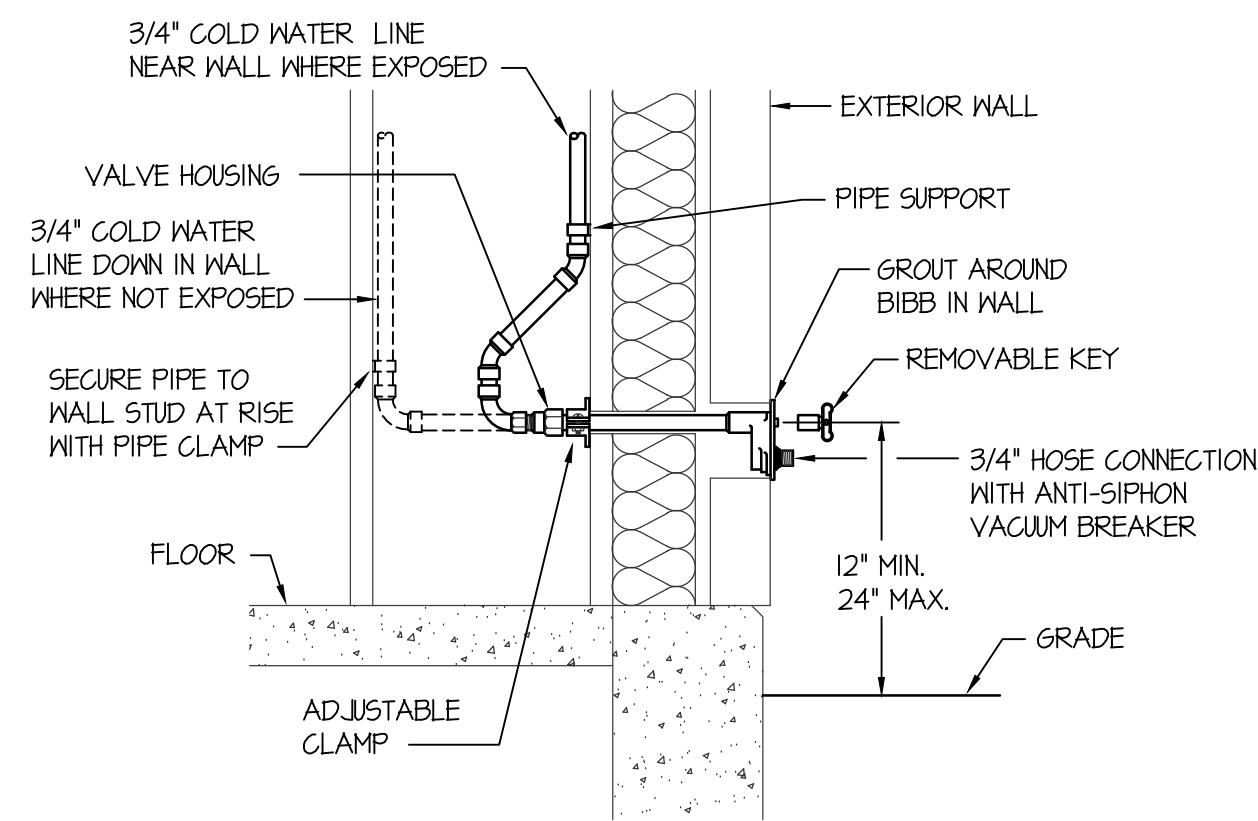
DX COIL CONDENSATE DRAIN DETAIL
NO SCALE



GAS LINE VENTING DETAIL
NO SCALE



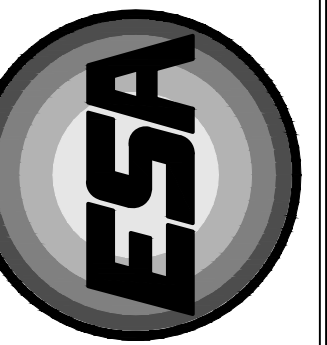
POOL HOUSE COLD WATER BACKFLOW PREVENTER DETAIL
NO SCALE



EXTERIOR HOSE BIBB DETAIL
NO SCALE

FIXTURE SCHEDULE					
SYM.	DESCRIPTION	HOT	COLD	WASTE	VENT
(DF-1)	BI-LEVEL DRINKING FOUNTAIN - ELKAY MODEL E2-51LBSLK WITH E2H20 BOTTLE FILLER FLEXI-GUARD BUBBLERS, 1/2" STOP AND 1-1/2" P-TRAP. PROVIDE ALL INTERCONNECTING PIPING AND DRAIN.	---	1/2"	1-1/2"	1-1/2"
(DS-1)	CONDENSATE DRAIN DOWN SPOUT - ARKMANN DESIGN MODEL PDN-3 PVC DOWNSPOUT. SEE DETAIL ON SHEET P-2	---	---	3"	---
(EW-1)	EMERGENCY EYEWASH STATION - BRADLEY MODEL S94214 PEDESTAL MOUNTED EYEWASH WITH 1/2" CW SUPPLY AND 1-1/4" DRAIN.	---	1/2"	2"	2"
(FD-1)	2" FLOOR DRAIN WITH PRIMER - ZURN Z-415B WITH 5"Ø NICKEL-BRONZE STRAINER AND 2" DEEP SEAL P-TRAP WITH ZURN 1022 TRAP PRIMER LOCATED UNDER LAVATORY	---	---	2"	2"
(FD-2)	2" SHOWER FLOOR DRAIN - ZURN Z-415B WITH 5"Ø NICKEL-BRONZE STRAINER AND 2" DEEP SEAL P-TRAP	---	---	2"	2"
(FS-1)	FLOOR SINK - ZURN Z-1900-KC WITH WHITE ENAMEL FINISH, DOME STRAINER & 4" DEEP SEAL P-TRAP. PROVIDE 3/4" GRATE OVER SINK.	---	---	4"	2"
(HB-1)	EXTERIOR HOSE BIBB - ZURN MODEL Z-1310 "ECOLOTRON" WITH REMOVABLE KEY. LENGTH TO SUIT WALL THICKNESS.	---	3/4"	---	---
(JS-1)	FLOOR MOUNTED SERVICE SINK - KOHLER K-6710 "WHITE" W/ K-8440 WIRE RIM GUARD, K-8428 FAUCET ASSEMBLY & K-4142 STRAINER & DEEP SEAL P-TRAP. HOSE & HOSE CLAMP	1/2"	1/2"	2"	2"
(JS-2)	FLOOR MOUNTED SERVICE SINK - FIAT MODEL 24EFS (24"x24") MOP SINK WITH FIAT 830AA FAUCET AND 2" DEEP SEAL P-TRAP AND STRAINER	1/2"	1/2"	2"	2"
(L-1)	ADA COUNTERTOP LAVATORY - KOHLER MODEL K-2405-4 SELF-RIMMING "FARMINGTON" WITH MOEN L4601 LEVER FAUCET, K-T15 OPEN GRID STRAINER, 1/2" BALL STOPS AND 1-1/4" P-TRAP. INSULATE HOT WATER SUPPLY AND TRAP WITH JACKET.	1/2"	1/2"	1-1/2"	1-1/2"
(SH-1)	ADA SHOWER - MOEN 2352 SHOWER VALVE & MOEN 3664EP HANDHELD SHOWER ASSEMBLY WITH 24" SLIDE BAR AND T&P BALANCING VALVE. SEE ARCH. PLANS FOR GRAB BARS AND SEAT.	1/2"	1/2"	---	---
(SH-2)	PACKAGED WALL SHOWER - ACORN MODEL 400B-N SINGLE WALL SHOWER WITH T&P MIXING VALVE AND SHOWER HEAD	1/2"	1/2"	---	---
(S-1)	SINGLE COMP. SINK WITH FAUCET - ELKAY MODEL LR-2219 WITH 1Ø GA TYPE 3Ø4 STAINLESS STEEL CONSTRUCTION, 3-HOLE FAUCET DRILLINGS, LK-4100 LEVER HANDLE FAUCET, LK-491 STRAINERS, 1-1/2" P-TRAP AND 1/2" BALL TYPE STOP VALVES.	1/2"	1/2"	2"	2"
(U-1)	ADA WALL MOUNTED URINAL - KOHLER K-4484-T "FRESHMAN" WITH WALL CARRIER & SLOAN REGAL BATTERY FLUSH VALVE. MOUNT AT ADA LEVEL.	---	3/4"	2"	2"
(WC-1)	ADA TANK TYPE WATER CLOSET - KOHLER K-3421 "HIGHLINE" W/ ELONGATED BOWL, K-4610-C WHITE OPEN FRONT SEAT, BOLT CAPS AND 1/2" STOP VALVE. RIGHT OR LEFT HAND FLUSH LEVER TO MEET ADA ACCESS	---	1/2"	4"	2"
(WC-2)	ADA FLUSH VALVE WATER CLOSET - KOHLER K-4368 "HIGHCLIFF" WITH ELONGATED BOWL, K-4610C WHITE OPEN FRONT SEAT, SLOAN REGAL BATTERY FLUSH VALVE AND CHINA BOLT CAPS. FLUSH VALVE LEVER TO BE RIGHT OR LEFT HAND TO MEET ADA ACCESS.	---	1"	4"	2"
(WC-3)	FLUSH VALVE WATER CLOSET - KOHLER K-4350 "WELCOMME" WITH ELONGATED BOWL, K-4610C WHITE OPEN FRONT SEAT, SLOAN REGAL BATTERY FLUSH VALVE AND CHINA BOLT CAPS.	---	1"	4"	2"
(WH-1)	ELECTRIC WATER HEATER - A.O. SMITH MODEL E15C-205 ELECTRIC WATER HEATER WITH 1500 WATT ELEMENT, Ø 120V, AMTROL ST-5 EXPANSION TANK, T&P VALVE AND POWERS 3/4" LM-441-1Ø MIXING VALVE.	3/4"	3/4"	---	---
(WH-2)	ELEC. WATER HEATER - EEMAX EMT-1 INSTANTANEOUS ELEC. WATER HEATER WITH 120 VOLT POWER CORD 1.4 KW, SEE DETAIL ON SHEET P-2	1/2"	1/2"	---	---
(WH-3)	7.5 GALLON GAS WATER HEATER - A.O. SMITH MODEL 6PDTL POWER DIRECT VENT GAS WATER HEATER WITH 120 VOLT POWER CORD, AMTROL ST-5 EXPANSION TANK, T&P VALVE. 10,000 BTU INPUT	3/4"	3/4"	---	---

CONDENSATE PUMP SCHEDULE						
SYM.	GPH	HEAD	H.P.	CHAR.	RECEIVER SIZE	REMARKS
(CP)	25	18'	1/30	115/6011	0.5 GALLON	LITTLE GIANT MODEL VGMX-200LS WITH 6'-0" POWER CORD AND 3/4" DRAIN LINE



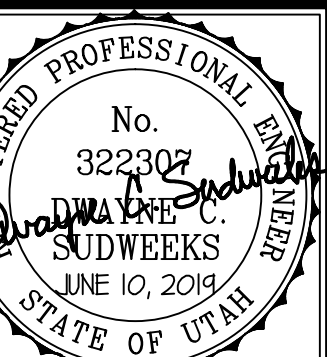
Engineered Systems Associates
Mechanical Engineers

Dwayne Sudweeks
1355 East Center - Pocatello, Idaho 83201
Phone: (208) 233-0501 Fax: (208) 233-0529 email: esa@engsystems.com

STRATA CLUBHOUSE
LOGAN, UTAH

PLUMBING DETAILS

PROJECT:



DRWN. BY: SR
CKD. BY: DCS
JOB NO. 18043
DATE: JUNE 2019

SHEET: 0-3
OF: THREE